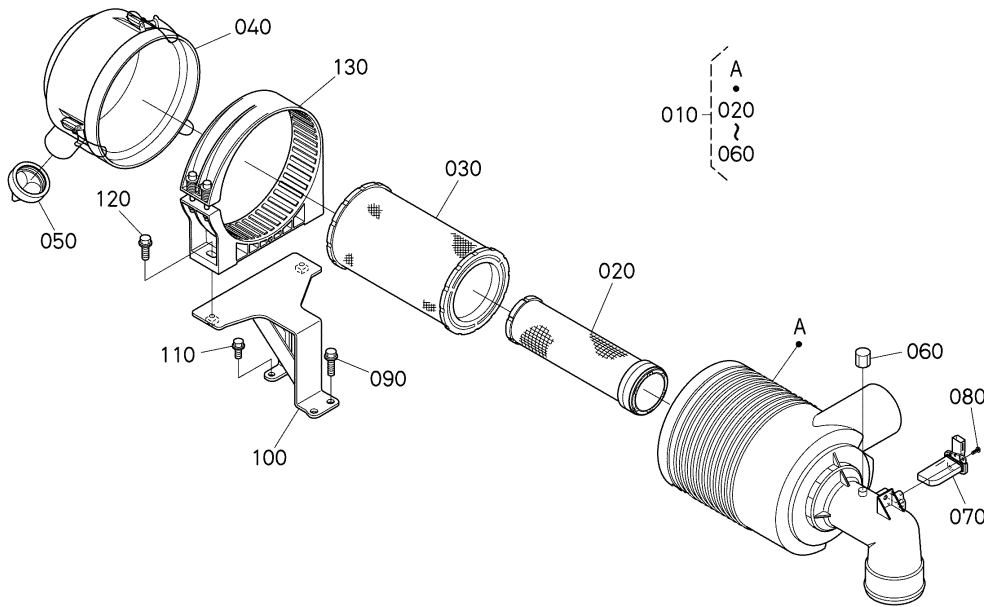


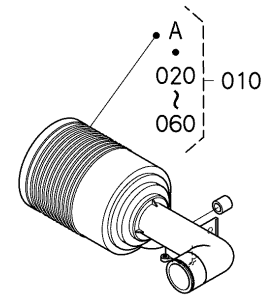
573000 AIR CLEANER ## V2403-CR-TIE4BG-KEA1  
 V2403-CR-TIE4BG-KEA1 ENGINE

Update Date: 10/11/2019  
 Printing Date: 15/01/2021



1J497-026-15

OLD



1J497-803-10

≡ Interchangeable

NI Not Interchangeable

>> New for Old

<< Old for New

No.	Part No.	Part Name	Qty	IC	Serial No./PIN	Remarks	Kg
010	1J456-11010	CLEANER,AIR,ASSY	1		<=7JMZ999	ORDER BY REF.No.010 NEW PART	2.1
010	1J456-11012	CLEANER,AIR	1	>>	>=7JN0001	ORDER BY REF.No.010 NEW PART	2.1
010	1E690-11013	CLEANER,AIR	1	>>	>=7KJ0001		2.0
020	3A111-19130	ELEMENT,INNER	1				0.335
030	59800-26110	ASSY ELEMENT,A/C	1				0.9
040	3F750-11160	ASSY COVER	1				0.33
050	59700-26140	VALVE	1		<=7JMZ999		0.027
050	1J456-11470	VALVE	1	>>	>=7JN0001		0.024
060	58819-25430	CAP,NIPPLE	1				0.003
070	1J520-10700	SENSOR(AIR FLOW)	1				0.042
080	03054-50412	SCREW,PAN HEAD(PHILLIPS)	2				0.001
090	01754-50825	BOLT,FLANGE	2				0.01
100	1J456-11570	STAY(AIR CLEANER)	1				0.8
110	01754-50620	BOLT,FLANGE	1				0.007
120	01754-50820	BOLT,FLANGE	2				0.015

≡ Interchangeable

NI Not Interchangeable

>> New for Old

<< Old for New

No.	Part No.	Part Name	Qty	IC	Serial No./PIN	Remarks	Kg
130	1E441-11250	BRACKET	1				0.27