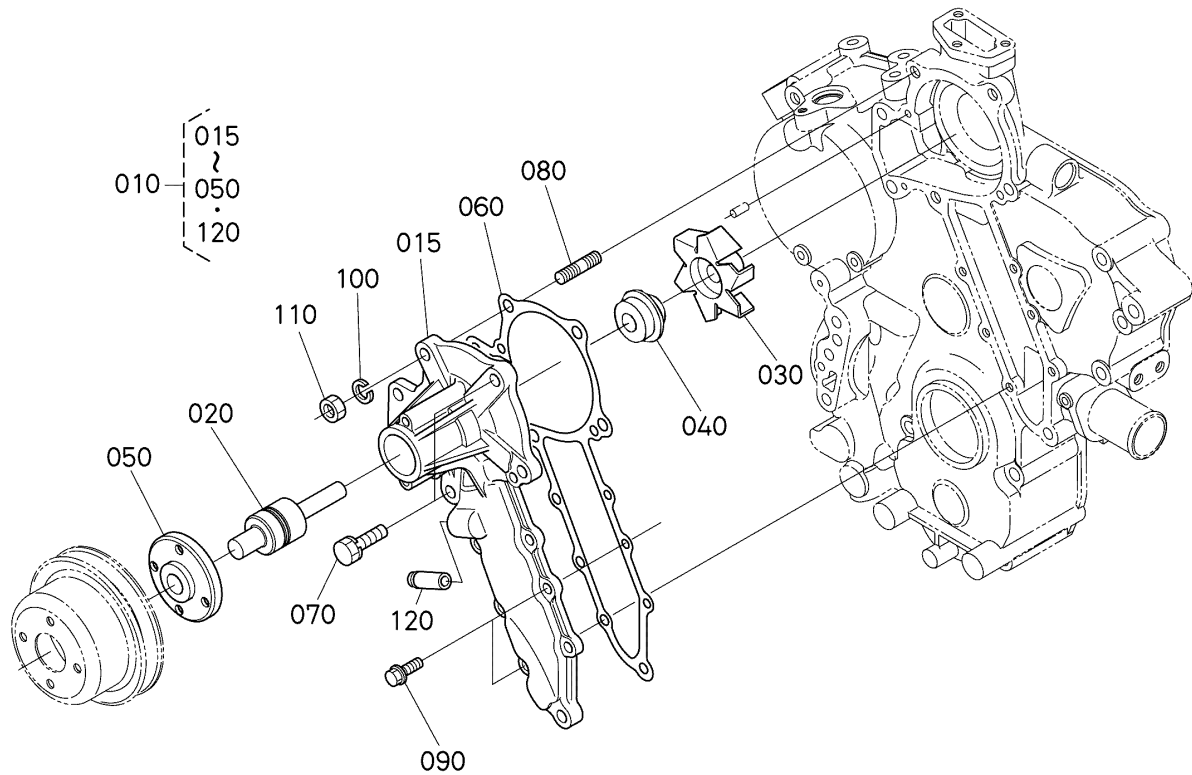


561000 WATER PUMP ## V2403-CR-TIE4BG-KEA1

S.No.<=7KVZ999 S.No.;<=7KVZ999
V2403-CR-TIE4BG-KEA1 ENGINE

Update Date: 10/11/2019

Printing Date: 15/01/2021



1J333-137-10

≡ Interchangeable

NI Not Interchangeable

>> New for Old

<< Old for New

No.	Part No.	Part Name	Qty	IC	Serial No./PIN	Remarks	Kg
010	1G489-73033	ASSY PUMP,WATER	1		<=7JMZ999	ORDER BY REF.No.010 NEW PART	0.96
010	1G489-73035	ASSY PUMP,WATER	1	>>	>=7JN0001		0.9
015	1G730-73412	BODY,WATER PUMP	1				0.4
020	16661-73550	BEARING	1				0.245
030	1A021-73510	IMPELLER	1				0.065
040	1G610-73050	ASSY SEAL,MECHANICAL	1		<=7JMZ999	ORDER BY REF.No.040 NEW PART	0.022
040	1G610-73053	ASSY SEAL,MECHANICAL	1	>>	>=7JN0001		0.022
050	1A021-73520	FLANGE(WATERPUMP SHAFT)	1				0.185
060	1A051-73430	GASKET,WATER PUMP	1				0.012
070	01123-50828	BOLT,SEMS	2				0.014
080	01518-50822	BOLT,STUD	1				0.012
090	01754-50616	BOLT,FLANGE	6				0.006

This content is the information at the time of publication on this site, information such as the part name and part number may be different from the present. Illustrations of products and parts that are posted are image diagrams.

8bbaeb44-217a-4d3a-83a6-6fc592f16f2f

561000 WATER PUMP ## V2403-CR-TIE4BG-KEA1

S.No.<=7KVZ999 S.No.;<=7KVZ999
V2403-CR-TIE4BG-KEA1 ENGINE

Update Date: 10/11/2019

Printing Date: 15/01/2021

= Interchangeable

NI Not Interchangeable

>> New for Old

<< Old for New

No.	Part No.	Part Name	Qty	IC	Serial No./PIN	Remarks	Kg
100	04512-50080	WASHER,SPRING LOCK	1				0.002
110	02156-50080	HEX.NUT	1				0.004
120	16241-73370	PIPE,WATER RETURN	1				0.007