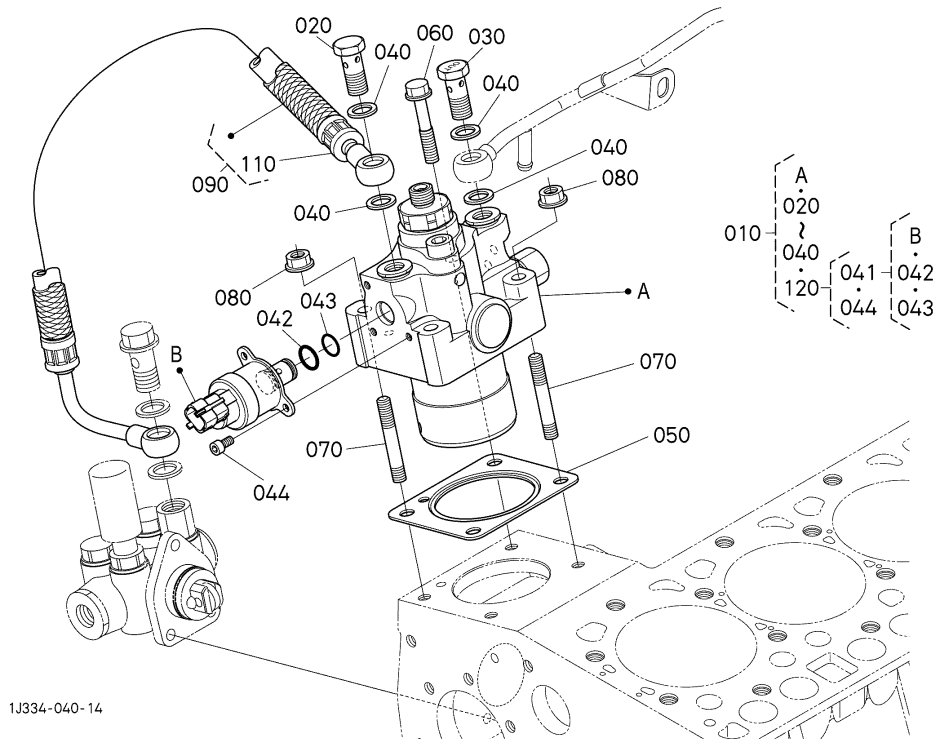
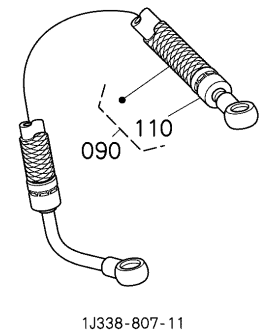
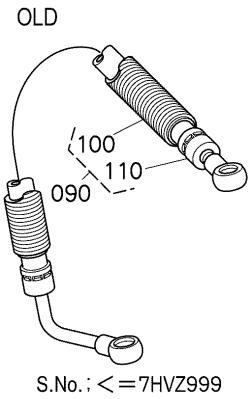


526500 SUPPLY PUMP ## V2403-CR-TIE4BG-KEA1  
V2403-CR-TIE4BG-KEA1 ENGINE

Update Date: 10/11/2019  
Printing Date: 15/01/2021



1J334-040-14



≡ Interchangeable

NI Not Interchangeable

>> New for Old

<< Old for New

No.	Part No.	Part Name	Qty	IC	Serial No./PIN	Remarks	Kg
010	1J801-50500	PUMP,ASSY(SUPPLY)	1				2.8
020	1J800-95790	BOLT,JOINT	1				0.025
030	1J800-95800	BOLT,JOINT	1				0.028
040	1J800-50520	GASKET	4				0.001
041	1J801-50540	VALVE,ASSY(SCV)	1				0.22
042	1J800-96780	O-RING(SCV,1)	1				0.001
043	1J800-96790	O-RING(SCV,2)	1				0.001
044	1J800-91430	BOLT(SCV)	3				0.003
050	1J800-52130	GASKET,PUMP	1				0.01
060	1J800-91010	BOLT,FLANGE	2				0.02
070	1J800-91490	STUD	2				0.019
080	02751-50080	NUT,FLANGE	2				0.006
090	1E518-42070	HOSE,ASSY(FUEL)	1		<=7HVZ999		0.2
090	1J813-42070	HOSE,ASSY(FUEL)	1	>>	>=7HW0001	ORDER BY REF.No.090 NEW PART	0.155
090	1J813-42072	HOSE,ASSY(FUEL)	1	>>	>=7JQ0001		0.155

≡ Interchangeable      NI Not Interchangeable      >> New for Old      << Old for New

No.	Part No.	Part Name	Qty	IC	Serial No./PIN	Remarks	Kg
100	1E518-42220	TUBE(PIPE)	1		<=7HVZ999		0.02
110	1E518-42090	HOSE,COMP(FUEL)	1		<=7JPZ999	ORDER BY REF.No.110 NEW PART	0.155
110	1E518-42092	HOSE,COMP(FUEL)	1	>>	>=7JQ0001		0.155
120	1J801-97550	VALVE,KIT(SCV)	1				0.205